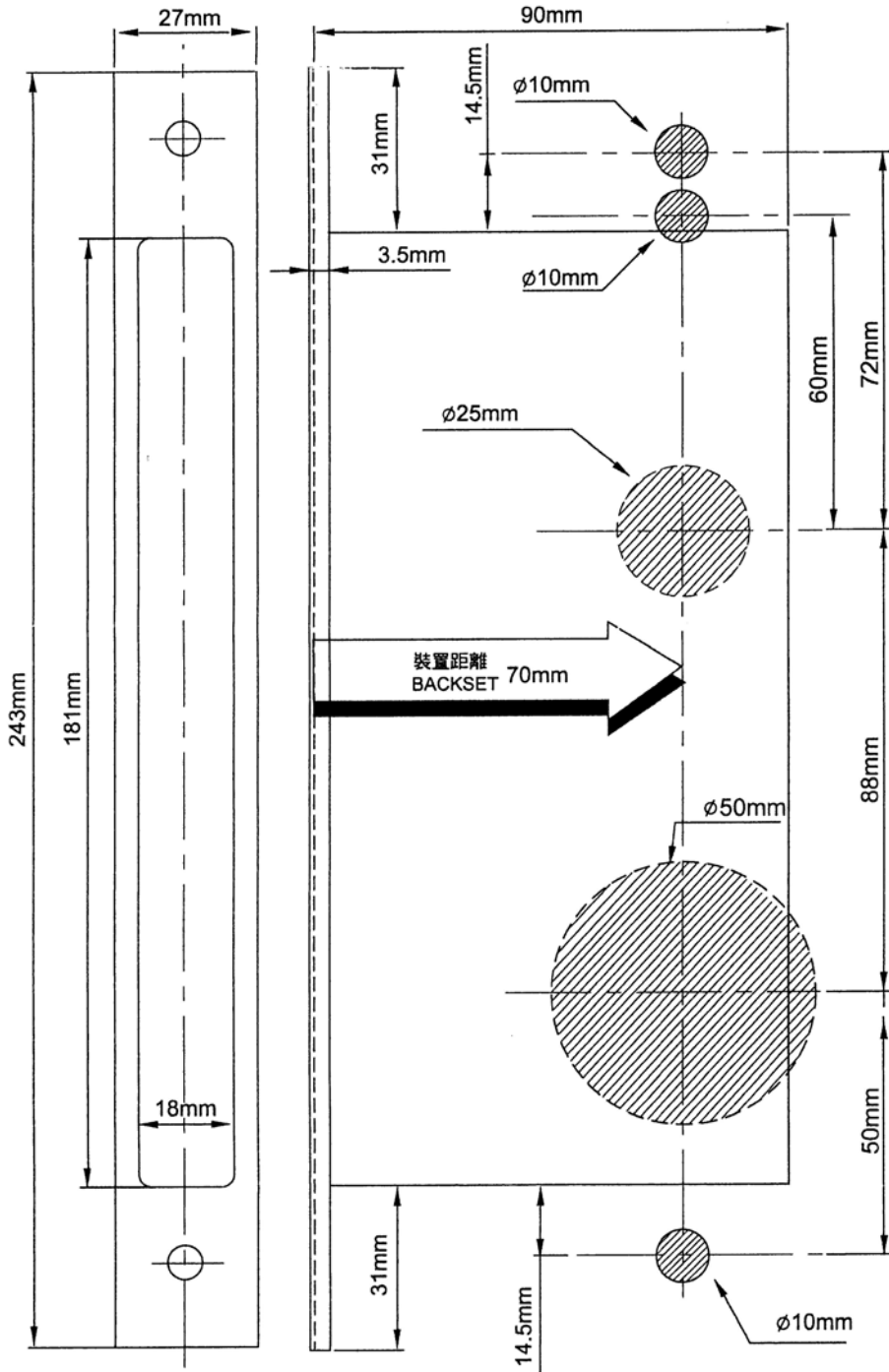
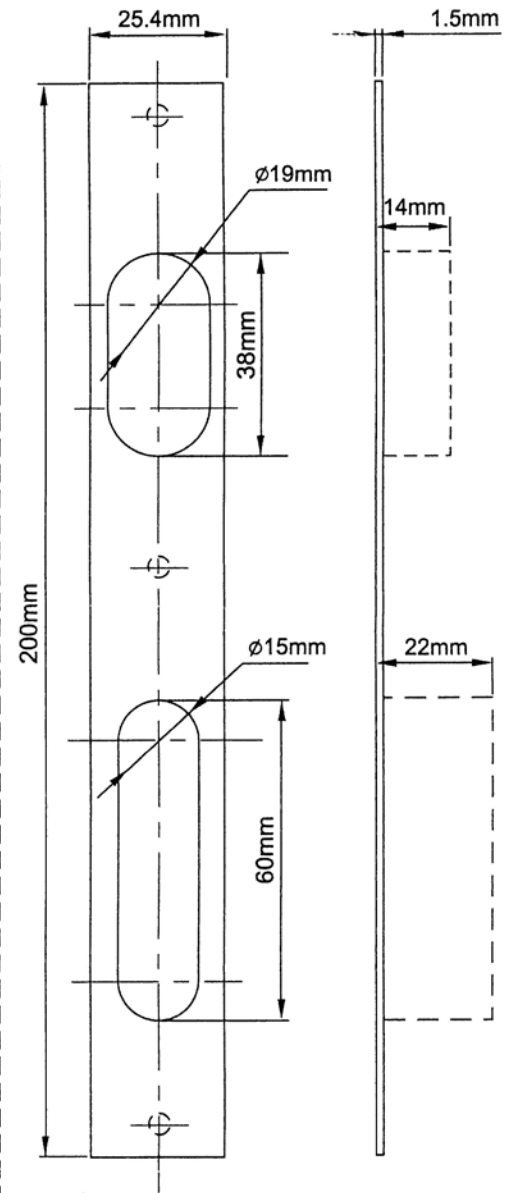


安裝紙規 MORTISE LOCK INSTALLATION TEMPLATE

鎖匣紙規
LOCK CASE MORTISE



檔板紙規
STRIKE TEMPLATE



Change Orientation of the Handle of Vision Security Z-Wave Door Lock ZM 1701 EU

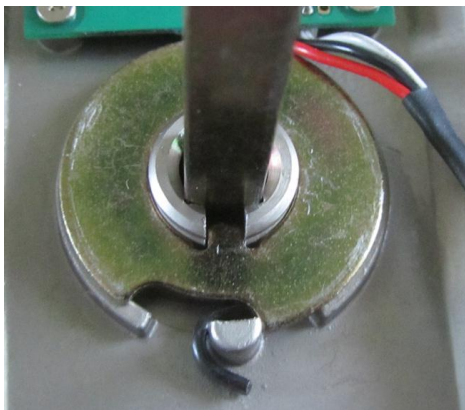
Remove the Retaining Ring on both handles and remove the metal plate.



If handle is on the left hand side (seen from outer door side) Place the spring and the metal plate like below



If you want the handle on the right hand side (seen from the outer door side), place the spring and the metal plate like below.



Apply the retaining ring again.
If needed change the latchbolt direction as described in the manual supplied with the product.