

# PM2.5 Monitor

MH10-PM2.5-WA

## Introduction

MCOHome PM2.5 Monitor is an air quality controller which compatible with Z-Wave technology, it is mainly used to monitor PM2.5 concentration in industrial, agricultural, and residence environment, while monitoring the indoor temperature and humidity. Device can be included into any Z-Wave network, and is compatible with any other Z-Wave certified devices.

## Specification

- Power Supply: AC220V, 50Hz
- Self dissipation: <3W
- PM2.5 detection range: 0-999.9 ug/m<sup>3</sup>
- Temperature range: -9.0~50 °C
- Humidity range: 0%~99% RH
- Dimension: 85\* 135\*33mm
- Hole Pitch: 60mm or 82mm
- Installation: wall-mounted (**Vertical**)
- Housing: Tempered glass+ PC Alloy
- Z-Wave Frequency: 868.42MHz (EU)



## Safety Information

To protect yourself and others from danger and to protect the device from damage, please read the safety information before using it.

### ***Important!***

- A qualified electrician with the understanding of wiring diagrams and knowledge of electrical safety should complete installation following the instructions.
- Before installation, please confirm the real voltage complying with the device's specification. Cut off any power supply to secure the safety of people and device.
- During installation, protect the device from any physical damage by dropping or bumping. If happens, please contact the supplier for maintenance.
- Keep the device away from acid-base and other corrosive solids, liquids, gases, to avoid damage.
- Avoid overexertion during operation, to protect device from mechanical damage.
- Read all instructions and documentation and save for future reference.

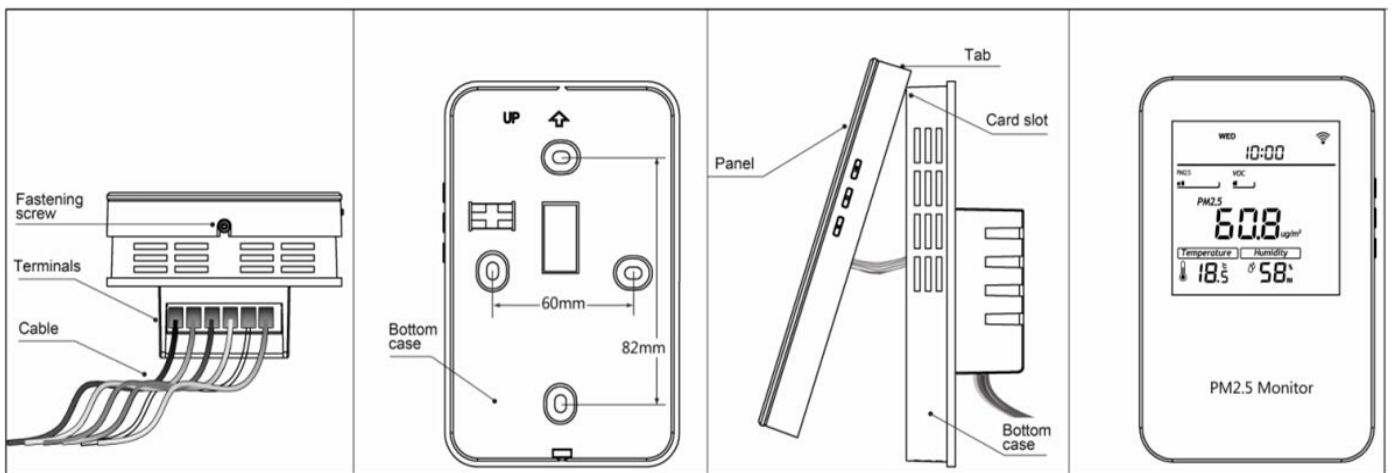
## Installation & Wiring

### Location:

Device is suggested to be installed indoor, a place with around 1.5m height above the floor where represents the average PM2.5 concentration. It should be away from direct sunlight, any cover, or any heat source, to avoid false signal for detection.

### Notice!

1. Device must be wall-mounted vertically. Do not lay it flat or upside down while working.
2. Do not mounted it in a wind gap, or cover its bottom, which may affect the detected data.



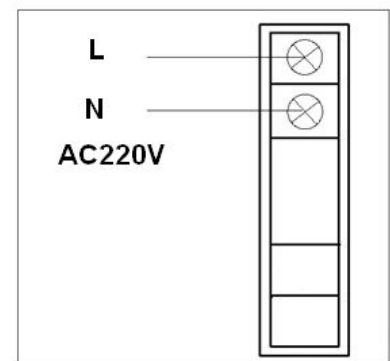
**Step 1:** Follow the wiring diagram to insert all wires into right terminals and tighten screws.

**Step 2:** Separate panel and bottom case by removing the screw at the bottom of device, and mount the bottom case onto wall with two screws (M4\*25mm).

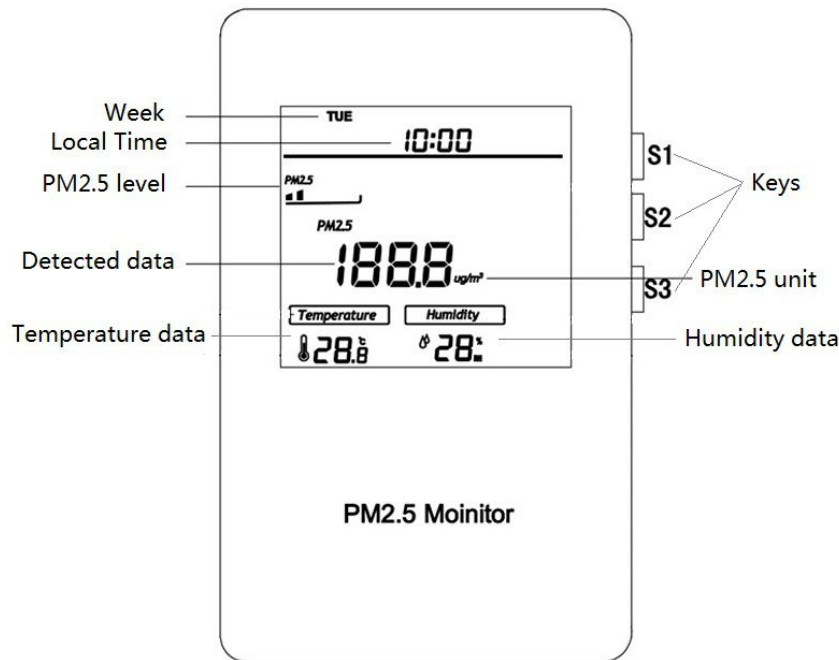
*The hole pitch 60mm is for 86/60mm box, and 82mm is for American 120mm box.*

**Step 3:** Mount the panel back by aligning its tabs and card slot onto the bottom case.

**Step 4:** Tighten the fastening screw and the device is ready for normal work.



## Button & Display



## Operation

### Local time setting

In normal display interface, long press S3 will enter the local time modification interface. Press S2 can switch among "Week, Hour & Minute ", press S1 or S3 can change their values. After all parameters set, press S2 can save settings and return to normal display.

### Backlight

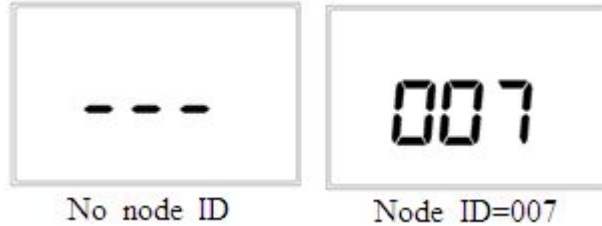
The backlight will be full bright when any keys pressed, and turn to half bright if no operation in 10 Sec.

### Including & Excluding of Z-Wave network

Activate Inclusion/Exclusion mode in the gateway. When device powered on, long press S1 & S3 synchronically to enter interface for inclusion or exclusion of Z-Wave network.

- If device has not been included into any Z-Wave network before, "--" will display on the screen.
- Then press S1 once, "--" flashing and device enters into learning mode to get a node ID. If inclusion is success, a node ID will display on the screen. If not, "--" will stop flashing in 20 sec.
- If a node ID displays, it means the device is already in a Z-Wave network. To press S1 once can remove it from the network. "--" displays and press S2 once can return to normal work.

**Note:** If display flashing, long press S1+S3 can quite the operation and back to normal work. If display stops flashing, press S2 once can return to normal work.



### Association Group

Device supports 1 association group. A gateway is suggested to associate with this group. The device will report to this associated device (gateway) when detected data changes:

PM2.5: report every 10Sec

Temperature: report when any change  $\geq 0.5^{\circ}\text{C}$

Humidity: report when any change  $\geq 2\%$

### Command Class supported by the device

COMMAND\_CLASS\_BASIC;

COMMAND\_CLASS\_SENSOR\_MULTILEVEL;

COMMAND\_CLASS\_ASSOCIATION;

COMMAND\_CLASS\_VERSION;

COMMAND\_CLASS\_MANUFACTURER\_SPECIFIC

## 1-year Limited Warranty

MCOHome warrants this product to be free from defects in material and workmanship under normal and proper use for one year from purchase date of the original purchaser. MCOHome will, at its option, either repair or replace any part of its products that prove defective by reason of improper workmanship or materials. THIS LIMITED WARRANTY DOES NOT COVER ANY DAMAGE TO THIS PRODUCT THAT RESULTS FROM IMPROPER INSTALLATION, ACCIDENT, ABUSE, MISUSE, NATURAL DISASTER, INSUFFICIENT OR EXCESSIVE ELECTRICAL SUPPLY, ABNORMAL MECHANICAL OR ENVIRONMENTAL CONDITIONS, OR ANY UNAUTHORIZED DISASSEMBLY, REPAIR OR MODIFICATION. This limited warranty shall not apply if: (i) the product was not used in accordance with any accompanying instructions, or (ii) the product was not used for its intended function. This limited warranty also does not apply to any product on which the original identification information has been altered, obliterated or removed, that has not been handled or packaged correctly, that has been sold as second-hand or that has been resold contrary to Country and other applicable export regulations.